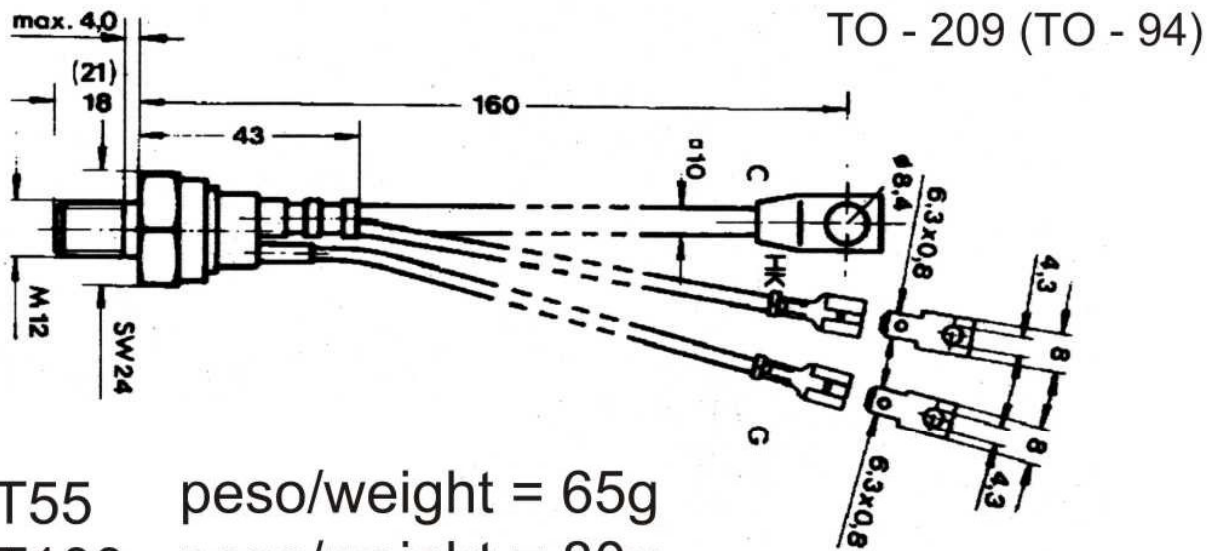


TRISTOR - SCR  
TIPO ROSCA

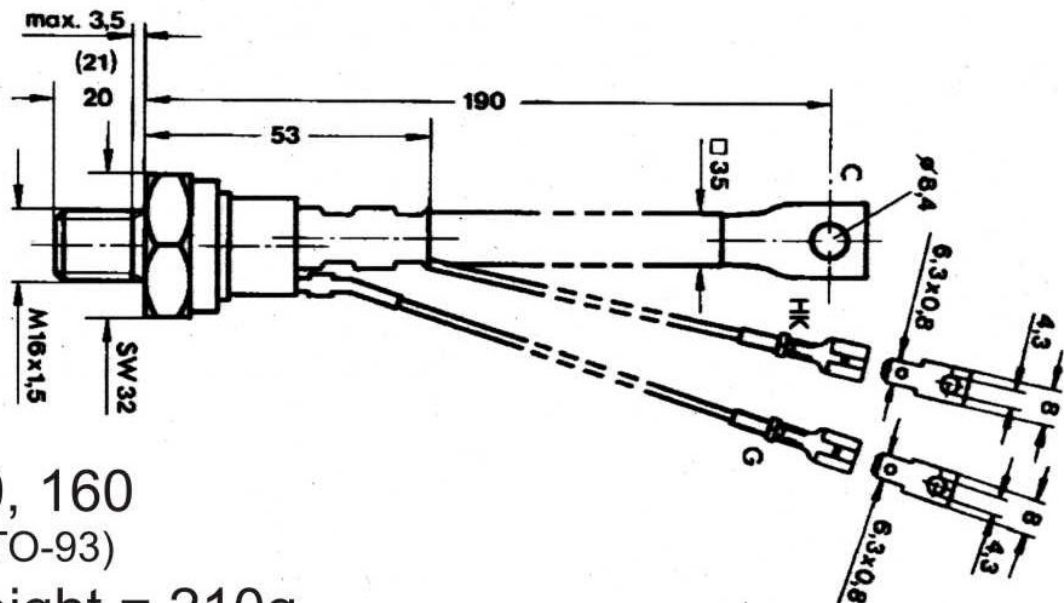
TRISTOR - SCR  
TIPO ROSCA

TIPOS TIPOS TYPES	V <sub>RRM</sub> V <sub>DRM</sub>	I <sub>TRMS</sub>	I <sub>TAV</sub>	I <sub>TSM</sub>	I <sup>2</sup> t	( $\frac{dv}{dt}$ ) <sub>cr</sub>	V <sub>T</sub> max. (I <sub>T</sub> )	T <sub>vj</sub> max.	V <sub>T(TO)</sub> V <sub>T(TO)</sub>	r <sub>T</sub>	V <sub>GT</sub>	I <sub>GT</sub>	R <sub>thjc</sub> sin. 180°el.	R <sub>thjc</sub> rec. 180°el.	R <sub>thch</sub>	
	V	A	(T <sub>case</sub> °C)	T <sub>vj</sub> =25°C 10ms	A <sup>2</sup> s	V/μs	T <sub>vj</sub> =25°C	°C	T <sub>vj</sub> max.	T <sub>vj</sub> =25°C	V	mA	°C/W	°C/W	°C/W	
CST12/04	400					500										
CST12/08	800	30	12	250	310	500	2,65	130	1,0	18	3	100	1,2	1,25	0,5	
CST12/12	1200		(103)			500	(75A)									
CST12/14	1400					1000										
CST12/16	1600					1000										
CST16/04	400					200										
CST16/08	800	40	16	370	680	200	2,4	130	1,0	20	3	100	0,9	0,95	0,5	
CST16/12	1200		(103)			1000	(75A)									
CST16/14	1400					1000										
CST16/16	1600					1000										
CST24/04	400					200										
CST24/08	800	50	24	450	1000	200	1,9	130	1,0	10	3	100	0,9	0,95	0,5	
CST24/12	1200		(94)			1000	(75A)									
CST24/14	1400					1000										
CST24/16	1600					1000										
CST40/04	400					200										
CST40/08	800	63	40	700	2500	200	1,95	130	1,0	9	3	150	0,66	0,70	0,2	
CST40/12	1200		(80)			1000	(120A)									
CST40/14	1400					1000										
CST40/16	1600					1000										
CST55/04	400					200										
CST55/08	800	110	40	1300	8500	200	1,8	130	0,9	4	3	150	0,47	0,53	0,08	
CST55/12	1200		(92)			1000	(200A)									
CST55/14	1400					1000										
CST55/16	1600					1000										
CST100/04	400					200										
CST100/08	800					200										
CST100/12	1200	135	100	2000	20000	1000	1,75	130	1,0	2,4	3	150	0,28	0,31	0,08	
CST100/14	1400		(85)			1000	(300A)									
CST100/16	1600					1000										
CST100/18	1800					1000										
CST130/04	400					200										
CST130/08	800	220	130	3500	61000	200	2,25	130	1,2	2,2	3	200	0,18	0,20	0,03	
CST130/12	1200		(85)			1000	(500A)									
CST130/14	1400					1000										
CST130/16	1600					1000										
CST160/04	400					200										
CST160/08	800	280	160	4300	92500	200	1,75	130	1,0	1,0	3	200	0,18	0,20	0,03	
CST160/12	1200		(85)			1000	(500A)									
CST160/14	1400					1000										
CST160/16	1600					1000										





CST55 peso/weight = 65g  
CST100 peso/weight = 80g



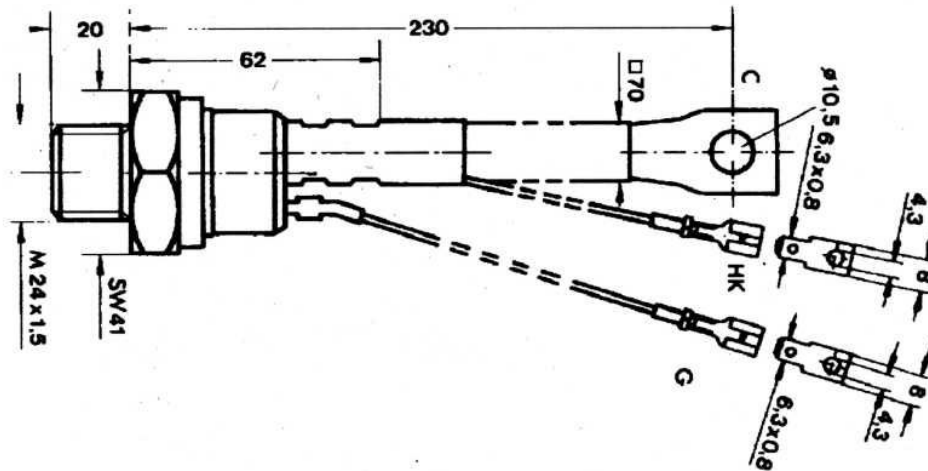
CST130, 160  
TO - 209 (TO-93)  
peso/weight = 210g

TRISTOR - SCR  
TIPO ROSCA E DISCO

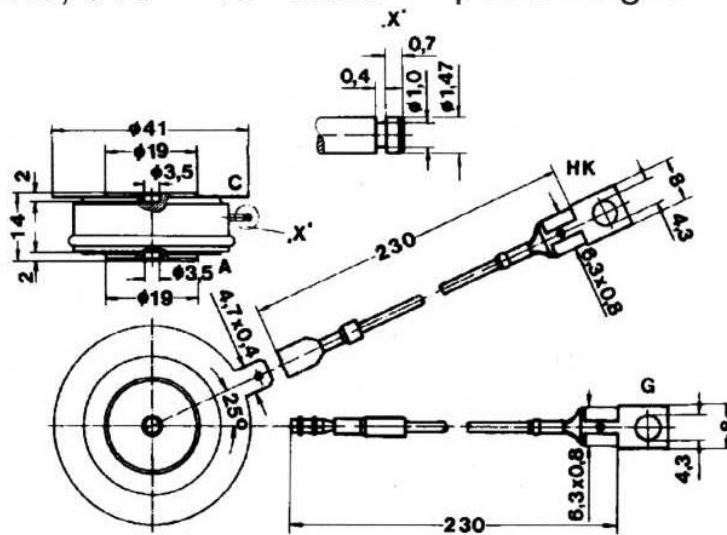
TRISTOR - SCR  
TIPO ROSCA Y DISCO

TIPOS TIPOS TYPES	$V_{RRM}$ $V_{DRM}$	$I_{RMS}$	$I_{TAV}$	$I_{TSM}$	$I^2t$	$(\frac{dv}{dt})_{cr}$	$V_T$ max. ( $I_T$ )	$T_{vj}$ max.	$V_{T(TO)}$ $V_{(TO)}$	$r_T$	$V_{GT}$	$I_{GT}$	$R_{thjc}$ sin.180°el.	$R_{thjc}$ rec.180°el.	$R_{thch}$	$F_{lg}$
	V	A	A ( $T_{case}^{\circ}C$ )	A	A <sup>2</sup> s $T_{vj}=25^{\circ}C$ 10ms	V/ $\mu$ s	V $T_{vj}=25^{\circ}C$	°C	V $T_{vj}max.$	m $\Omega$	V $T_{vj}=25^{\circ}C$	mA	°C/W	°C/W	°C/W	
CST250/04	400					500										
CST250/08	800	450	250	7000	245000	500	1,65	130	1,0	0,7	3	200	0,123	0,137		0,015
CST250/12	1200		(85)			1000	(800A)									
CST250/14	1400					1000										
CST250/16	1600					1000										
CST300/04	400					500										
CST300/08	800	550	300	11000	600000	500	1,45	130	0,9	0,5	3	200	0,096	0,101		0,015
CST300/12	1200		(85)			1000	(800A)									
CST300/14	1400					1000										
CST300/16	1600					1000										
CST240/04	400					500										
CST240/08	800					500										
CST240/12	1200	600	240	5000	125000	1000	1,45	125	1,0	1,4	3	200	0,072	0,080		0,02
CST240/14	1400		(92)			1000	(800A)									
CST240/16	1600					1000										
CST240/04	400					500										
CST240/08	800					500										
CST240/12	1200	700	240	5700	162000	1000	1,9	125	1,0	0,9	3	200	0,072	0,080		0,02
CST240/14	1400		(82)			1000	(1000A)									
CST240/16	1600					1000										
CST491/04	400					500										
CST491/08	800					500										
CST491/12	1200	1000	490	8000	320000	1000	2,1	125	1,1	0,7	3	250	0,047	0,054		0,012
CST491/14	1400		(80)			1000	(1500A)									
CST491/14	1600					1000										
CST491/18	1800					1000										
CST551/12	1200					1000										
CST551/14	1400	1200	550	9000	405000	1000	1,65	125	0,925	0,45	3	250	0,047	0,054		0,012
CST551/16	1600		(85)			1000	(1500A)									
CST551/18	1800					1000										

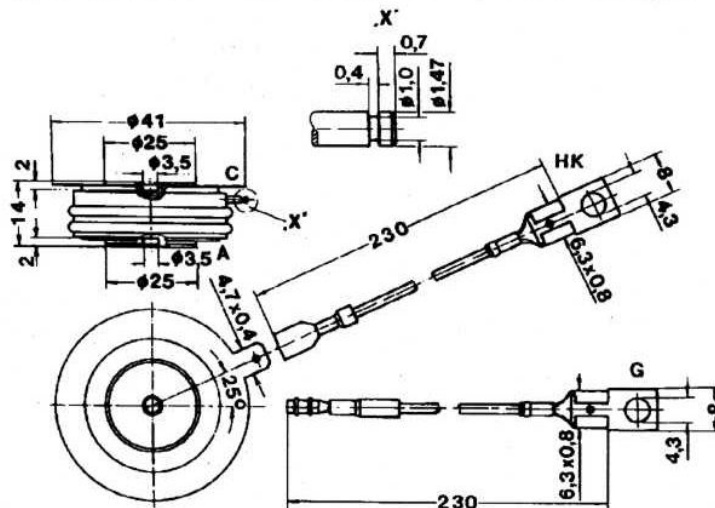
CST250, 300 TO - 209AD(TO-18) peso/weight = 450g



CST240, 340 TO - 200AB peso/weight = 61g



CST491, CST551 TO - 200AB2 peso/weight = 105g



TIPOS TIPOS	V <sub>RRM</sub> V <sub>DRM</sub>	I <sub>TRMS</sub>	I <sub>TAV</sub> (T <sub>case</sub> °C)	I <sub>TSM</sub> T <sub>vj</sub> =25°C 10ms	I <sup>2</sup> t kA <sup>2</sup> s	( $\frac{dv}{dt}$ ) <sub>cr</sub> V/μs	V <sub>T</sub> max. T <sub>vj</sub> =25°C	T <sub>vj</sub> max. °C	V <sub>T(TO)</sub>	r <sub>T</sub>	V <sub>GT</sub>	I <sub>GT</sub>	R <sub>thjc</sub> 120°el. (rect)	R <sub>thjc</sub> 180°el. (sin)	R <sub>thch</sub>
	V	A	A	A	kA <sup>2</sup> s	V/μs	V	°C	V	mΩ	V	mA	V	°C/W	°C/W
CST520/18	1800														
CST520/20	2000														
CST520/22	2200	1.400	520	9.000	405	1000	2.0 @	125	1,2	0,55	3	200	0,045	0,040	0,007
CST520/24	2400		(85)				I <sub>r</sub> =1500A								
CST520/28	2800														
CST600/04	400					500									
CST600/08	800					500									
CST600/12	1200	1.400	600	11.500	660	1000	2.0 @	125	1,0	0,4	3	200	0,045	0,040	0,007
CST600/14	1400		(85)			1000	I <sub>r</sub> =2400A								
CST600/16	1600					1000									
CST600/18	1800					1000									
CST760/04	400					500									
CST600/08	800					500									
CST600/12	1200	1.600	760	15.000	1.125	1000	1,65 @	125	0,92	0,3	3	200	0,045	0,040	0,007
CST600/14	1400		(80)			1000	I <sub>r</sub> =2400A								
CST600/16	1600					1000									
CST600/18	1800					1000									
CST1000/04	400					500									
CST1000/08	800					500									
CST1000/12	1200					1000									
CST1000/14	1400	2.300	1.000	19.000	1.800	1000	2,0 @	125	1,14	0,243	5	250	0,027	0,0225	0,005
CST1000/16	1600		(85)			1000	I <sub>r</sub> =3600A								
CST1000/18	1800					1000									
CST1000/22	2200					1000									
CST1000/26	2600					1000									
CST1000/28	2800					1000									
CST1200/12	1200														
CST1200/14	1400	2.800	1.200	30.000	4.500	1000	1,65 @	125	0,95	0,18	5	250	0,027	0,0225	0,005
CST1200/16	1600		(85)				I <sub>r</sub> =3600A								
CST1200/18	1800														
CST1400/26	2600														
CST1400/28	2800	3.000	1.400	29.000	4.200	1000	2,1 @	125	1,04	0,35	3	300	0,02	0,0185	0,003
CST1400/32	3200		(62)				I <sub>r</sub> =3000A								
CST1400/36	3600														
CST1800/12	1200														
CST1800/14	1400	4.500	1.800	53.000	14.000	1000	1,25 @	125	0,88	0,124	3	300	0,0165	0,0155	0,003
CST1800/16	1600		(85)				I <sub>r</sub> =3000A								
CST1800/18	1800														