

Inverter SCRs

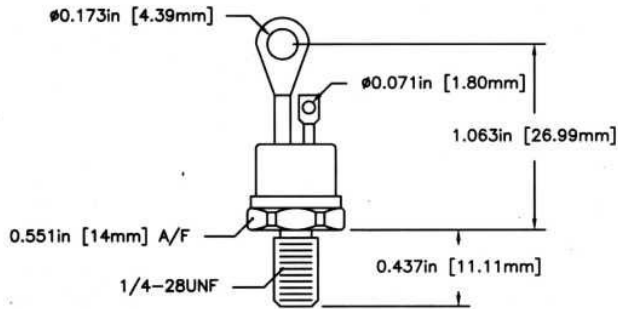
Part Number	V _{DRM/RRM} V	I _{TRMS} A	I _{TAV} @ T _C		Tq μs	V _{TM} @ I _{TM} , 25°C		I _{TSM} A	T _{J(MAX)} °C	R _{th(j-c)} °C/W	Case
			A	°C		V	A				
CSFT156	200-600	110	70	65	10	3.0	500	1800	125	0.30	TO-83
CSFT157	200-600	110	70	65	20	3.0	500	1800	125	0.30	TO-83
CSFT159	600-1200	110	70	65	40	3.5	500	1600	125	0.30	TO-83
CSFT64-2	200-600	110	70	65	10	2.6	500	1800	125	0.30	TO-83
CSFT65-2	200-800	110	70	65	20	2.6	500	1800	125	0.30	TO-83
CSFT154	200-600	110	70	65	10	3.0	500	1800	125	0.30	TO-83
CSFT155	200-600	110	70	65	20	3.0	500	1800	125	0.30	TO-83
CSFT158	600-1200	110	70	65	40	3.5	500	1600	125	0.30	TO-83
CSFT164	200-600	110	70	65	10	2.6	500	1800	125	0.30	TO-83
CSFT165	200-800	110	70	65	20	2.6	500	1800	125	0.30	TO-83
CSFT184	200-600	300	190	65	10	2.9	1500	3500	125	0.15	TO-83
CSFT185	200-600	300	190	65	20	2.9	1500	3500	125	0.15	TO-83
CSFT358	200-1200	225	140	65	40	3.5	500	1600	125	0.14	TO-200AB
CSFT354	200-600	275	175	65	10	3.0	500	1800	125	0.13	TO-200AB
CSFT355	200-800	275	175	65	20	3.0	500	1800	125	0.13	TO-200AB
CSFT364	200-800	275	175	65	10	2.6	500	1800	125	0.14	TO-200AB
CSFT365	200-800	275	175	65	20	2.6	500	1800	125	0.14	TO-200AB
CSFT384	200-800	400	250	65	10	2.9	1500	3500	150	0.10	TO-200AB
CSFT385	200-800	400	250	65	20	2.9	1500	3500	125	0.10	TO-200AB
CSFT434	200-800	600	380	65	15	2.1	1000	8000	125	0.04	TO-200AB-2
CSFT435	200-800	600	380	65	20	2.1	1000	8000	125	0.04	TO-200AB-2
CSFT436	600-1400	650	410	65	30	2.6	1000	5500	125	0.06	TO-200AB-2
CSFT437	600-1400	650	410	65	60	2.2	1000	7500	125	0.04	TO-200AB-2
CSFT438	600-1400	650	410	65	40	2.2	1000	7500	125	0.04	TO-200AB-2
CSFT376	600-1400	500	315	65	20	2.2	1000	6000	125	0.06	TO-200AC
CSFT387	600-1200	500	315	65	40	4.2	3000	8000	125	0.06	TO-200AC
CSFT388	600-1200	500	315	65	30	4.2	3000	5500	125	0.06	TO-200AC
CSFT392	200-600	500	315	65	15	4.2	3000	7500	125	0.06	TO-200AC
CSFT393	200-600	500	315	65	20	4.2	3000	7500	125	0.06	TO-200AC
CSFT398	200-1400	650	410	65	40	3.0	3000	6000	150	0.06	TO-200AC
CSFT377	600-1400	700	445	65	40	1.8	1000	7500	125	0.06	TO-200AC
CSFT378	600-1400	700	445	65	30	1.8	1000	7500	125	0.06	TO-200AC
CSFT394	200-600	700	445	65	15	2.5	3000	8000	125	0.06	TO-200AC
CSFT395	200-600	700	445	65	20	2.5	3000	8000	125	0.06	TO-200AC
CSFT447	600-1400	1000	635	65	40	2.9	2000	9000	125	0.04	TO-200AC
CSFT448	600-1400	1000	635	65	25	2.9	2000	9000	125	0.04	TO-200AC
CSFT612	1200-1200	1150	730	65	60	2.0	1000	8000	125	0.05	TO-200AC
CSFT648	600-1200	1150	730	65	40	1.7	1000	10000	125	0.04	TO-200AC
CSFT458	600-1400	1600	1000	65	25	2.6	3000	16000	125	0.03	T-47
CSFT712	1400-2000	1570	1000	65	60	1.9	1000	14300	125	0.02	T-47
CSFT457	600-1400	200	1250	65	40	2.0	3000	18700	125	0.02	T-47
CSFT770	1400-1800	3250	2100	70	100	1.6	200	38000	125	0.01	T-73

Voltage Matrix

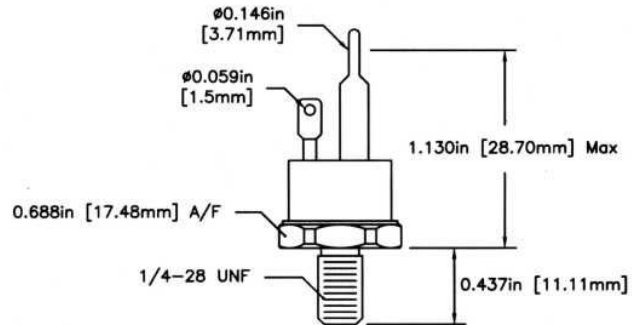
B	200V	PD	1400V	LE	2500V	CM	2500V
D	400V	PM	1600V	LM	2600V	CN	2600V
M	600V	PN	1800V	LN	2800V	DP	2800V
N	800V	L	2000V	LP	3000V	DB	3000V
P	1000V	LB	2200V	CB	3200V	DD	3200V
PB	1200V	LD	2400V	CD	3400V	DE	3400V

Part Number Nomenclature Classification Voltage (V)

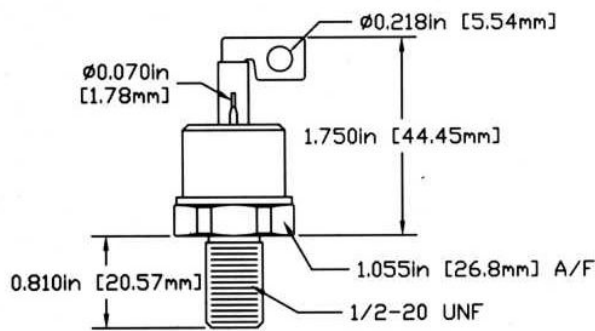
Classification	Voltage (V)	Complete Part Number
CSFT448	P 1000V	CSFT448P
CSFT448	P 1200V	CSFT448PB



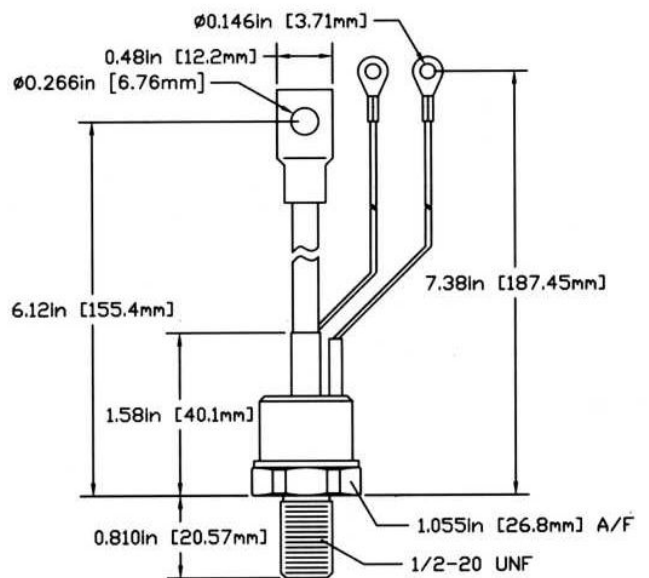
TO-48
Weight: 10grams



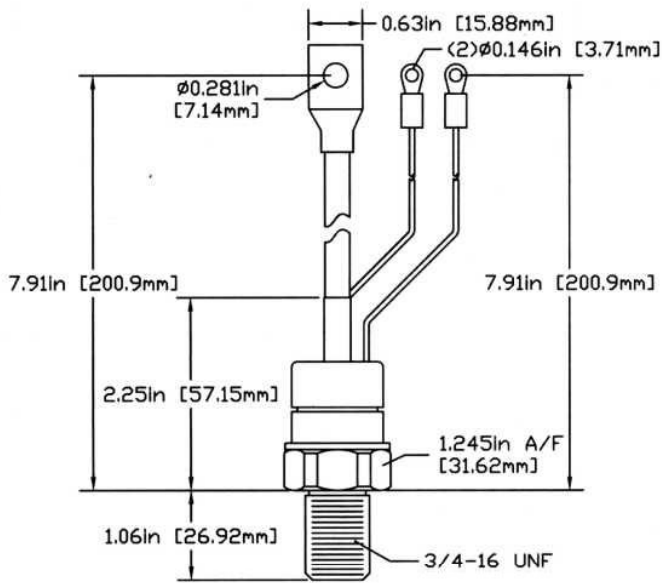
TO-65
Weight: 33 grams



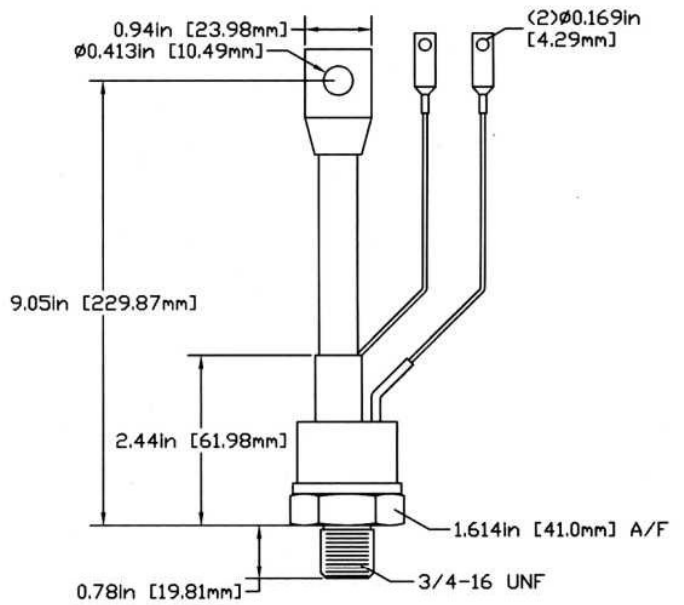
TO-83
Weight: 100 grams



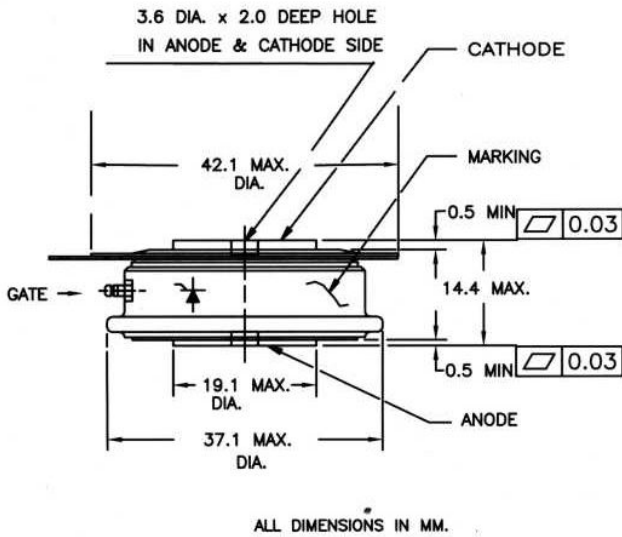
TO-94
Weight: 130 grams



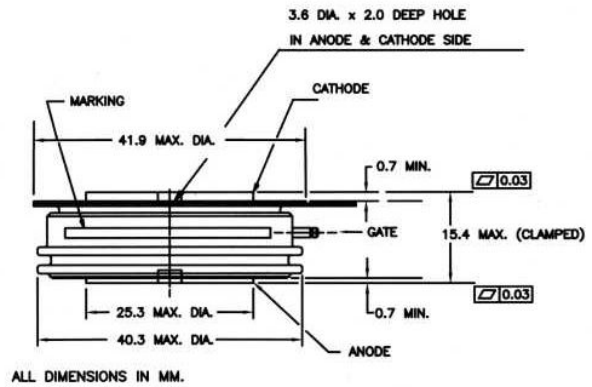
TO-93
 Weight: 250 grams



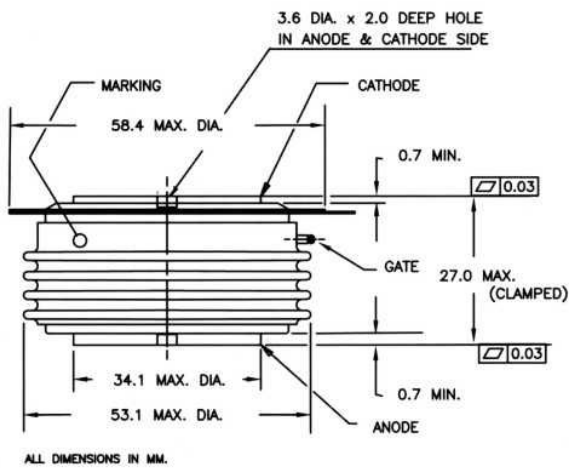
TO-118
 Weight: 280 grams



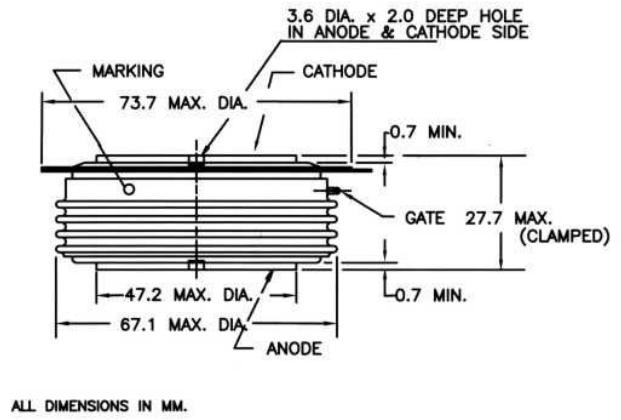
TO-200AB
 Weight: 70 grams



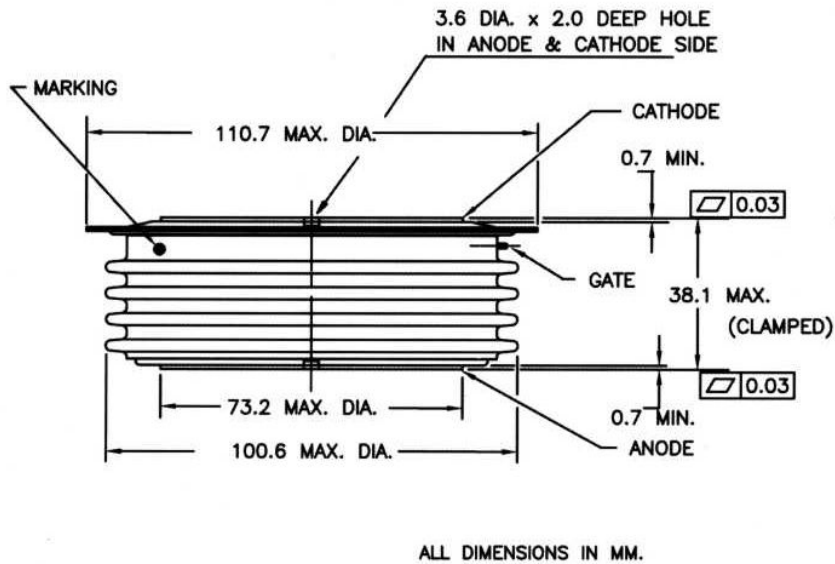
TO-200AB-2
 Weight: 90 grams



TO-200 AC
Weight: 340 grams



T-47
Weight: 510 grams



T-73
Weight: 950 grams